

GEREdor[®]
Symbol of Quality

FIRE RATED DOOR

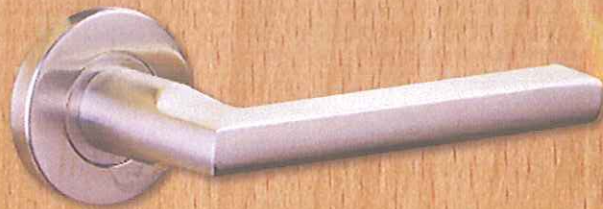
Certified by:



Approved by:



SIRIM
SIRIM QAS
International, Malaysia



QUALITY FIRE-RATED DOOR

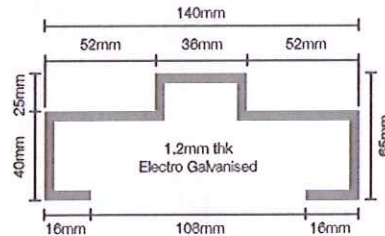
GEREdor specialises in Fire Rated Doors that meet the needs of our clients. **GEREdor** Fire Rated Doors come in various styles and configurations to meet the needs of both residential and commercial projects. **GEREdor** has been tested by Sirim QAS International Malaysia which has been approved by Jabatan Bomba dan Penyelamatan Malaysia.

- **1 HOUR RATED FIRE RESISTANCE**
- **BS EN 12209:2003 STANDARD AND ANSI/ BHMA A 156.13:2003 COMPLIANCE IRONMONGERIES**
- **TESTED AND IN COMPLIANCE TO MS 1073: PART 3: 1996 (AMD. 1: 2003)**
- **ELECTRO GALVANISED METAL DOOR FRAME**
- **SCREW ON TYPE HINGES**

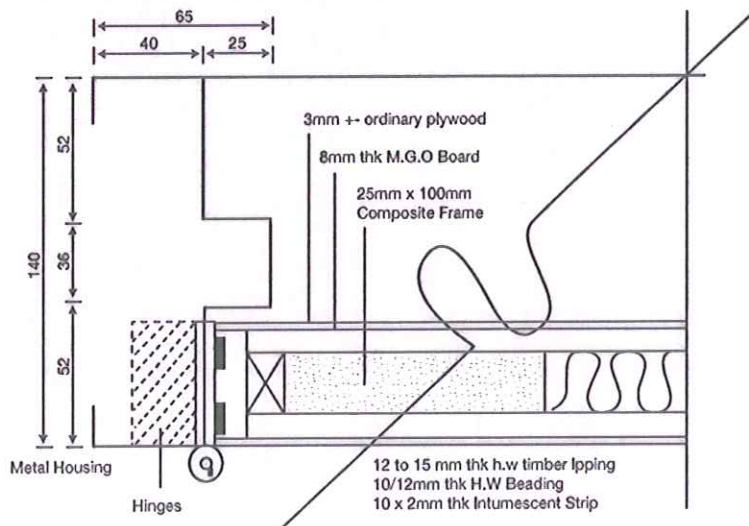
TYPICAL DOOR JAMB SECTION



Diagram

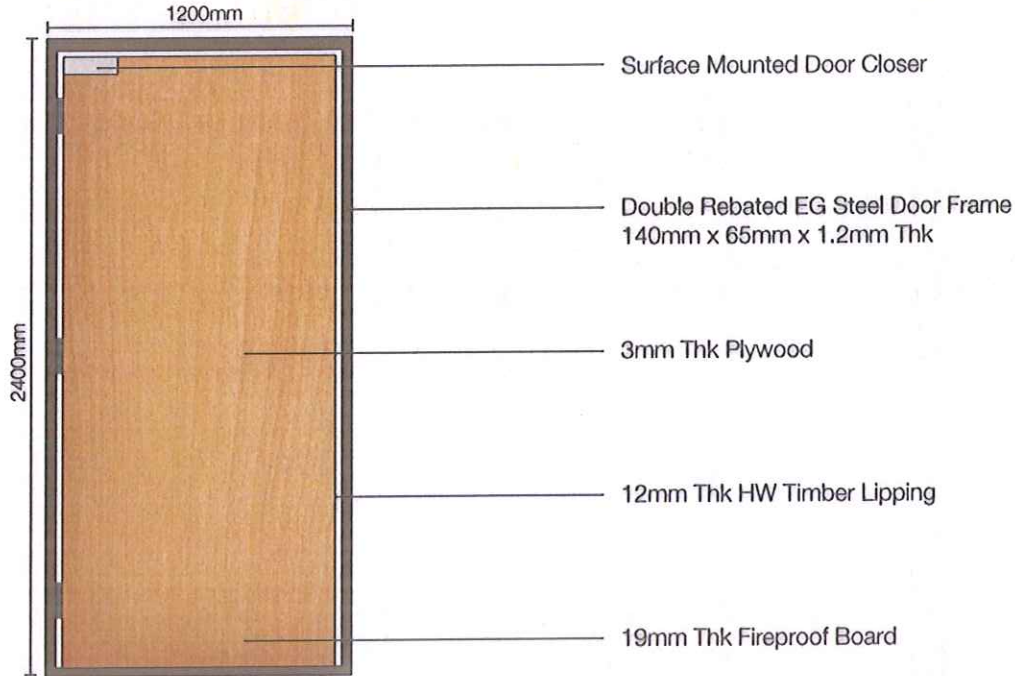


CROSS SECTION OF DOOR LEAF



SINGLE LEAF ONE HOUR FIRE RATED DOOR WITH ELECTRO GALVANIZED METAL DOOR FRAME

Maximum Size 1200mm x 2400mm
 Model : GEREdor MFKL/SL/1H/8MM/GERE



IRONMONGERIES SET

LEVER HANDLE



SUS304 Stainless Steel
 BS EN 12209:2003

PROFILE CYLINDER



Cylinder With Thumb Turn
 BS EN 12209:2003

HINGES



Stainless Steel Hinges
 with Bearing
 127mm x 90mm x 3.0mm
 Passed Durability 200,000 cycles
 BS EN 1935:2002

MORTISE LOCK CASE



Mortise Lock Case
 Function Available

- Entrance
- Passage
- Classroom
- Anti-panic

Passed Durability 500,000 cycles
 BS EN 12209:2003

DOOR CLOSER



Power Size Available

- EN 3 - 60kg
- EN 4 - 80kg
- EN 5 - 100kg
- EN 6 - 120kg

Passed Durability 500,000 cycles
 BS EN 1154:1997



CERTIFIED TO: ANSI/BHMA A 156.13.2005



HIGH RESERVE MARKETING SDN. BHD.

No.2&4, Jalan BK 1/19, Kinrara Industrial Park,
Bandar Kinrara, 47100 Puchong, Selangor.

Tel: +603 8076 1822 **Fax:** +603 8070 0877

Web: www.gere-products.com

Email: gere@highreserve.com

