

Tubular Function Handle Set



Model:

GD 190

Zinc Alloy Handle set



Specification

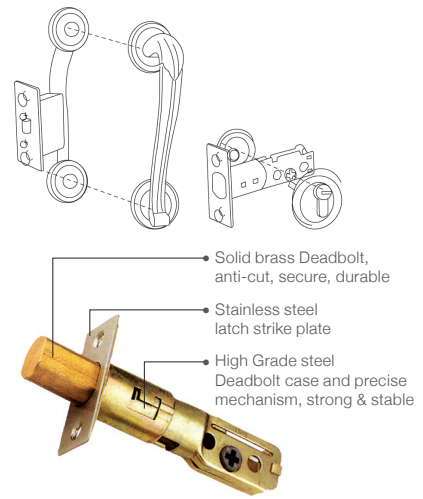
- Handle material: Zinc Alloy
- Lock faceplate material: Zinc Alloy
- Lock body: 60/70mm Adjustable Latch
- SUS 304 Ball catch
- Key: 3 Brass Keys
- Door thickness: 38-50mm
- Application range: Suitable for various kinds of wooden doors

Finishing

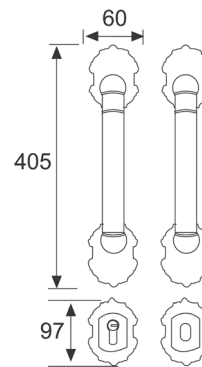
- M3M** - Satin Gold
- M5** - Antique Brass

Function

- Entrance



Diagram



CERTIFIED TO: ANSI/BHMA A 156.2:2003
Certification No: PC000359

Meets underwriter's laboratories criteria.
Specially designed for barrier free application.
Certified to ANSI/BHMA A 156.2:2003 Sirim approval, Grade 3.
Exceeds 200,000 cycles. Certification No: PC000359
Packing - Visual box pack

Stock Code	Packing	Weight
GD 190	6 sets	24.6 kgs