

Pull Handle with Locking Cylinder

Model:
GSL 8161

Material

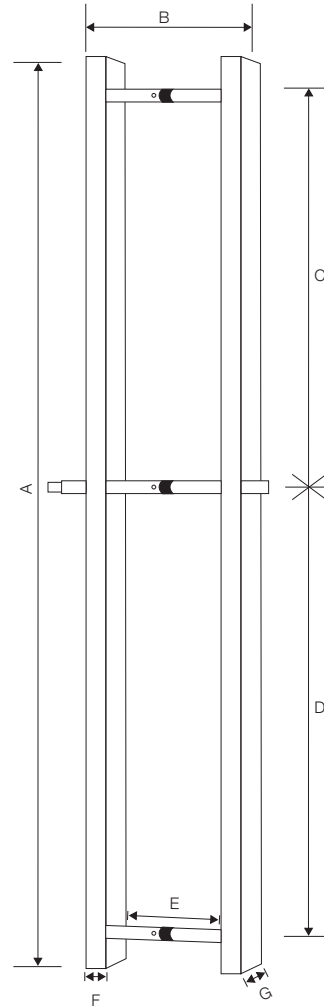
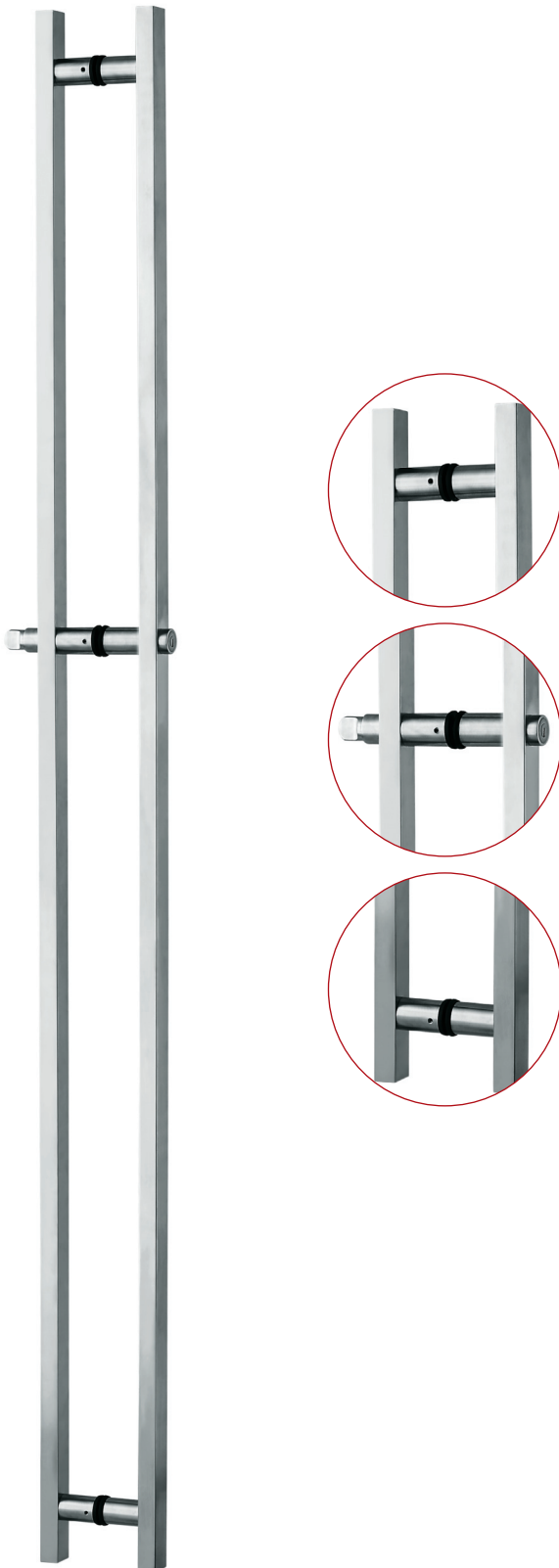
- SUS 304 Stainless Steel

Finishing

- **M26D** - Satin Chrome

Function

- Built in cylinder
- 5 Brass Keys



Size	mm	A	B	C	D	E	F	G
2000 mm		2000	80	72.5	113	55	25	38



Packing - Box pack

Stock Code	Size	Packing	Weight
GSL 8161-2000	2000 mm	6 pcs/ctn	37 kgs