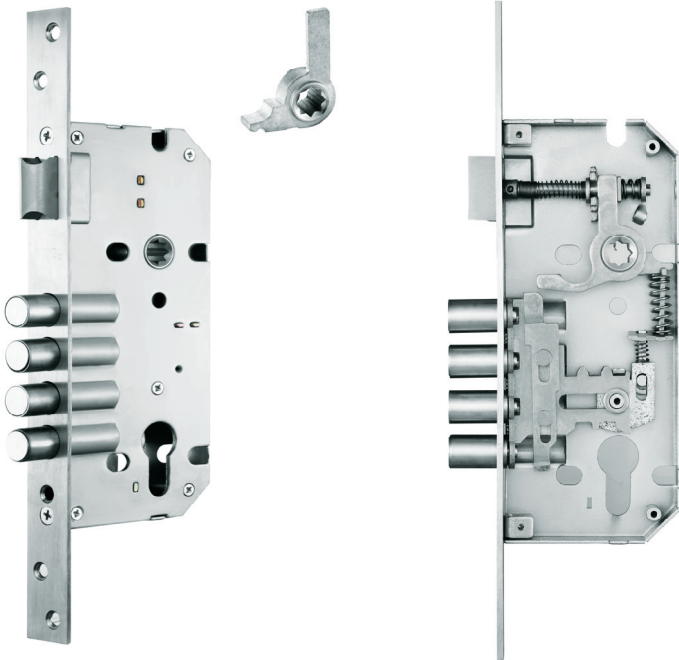


Mortise Lock Stainless Steel



Model:
Entrance

GML 8561-4SSR

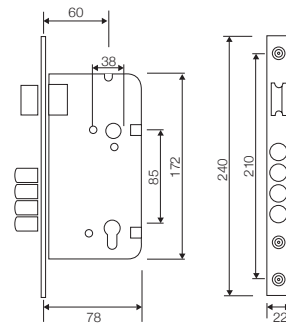


Specification

- For Flush timber door
- Latch operated with lever handle
- Deadbolt operated with profile cylinder
- Stainless steel latch / Deadbolt
- SUS 304 Stainless steel lock case and interior parts
- Reversible latch
- Anti Sawing
- Moveable stainless steel rolling shaft
- Backset 50mm/60mm

Function

- Entrance



Stock Code	Size	Packing	Weight
GML 8551-4SSR	50mm x 85 mm	25 pcs	18.5 kgs
GML 8561-4SSR	60mm x 85 mm	25 pcs	18.5 kgs

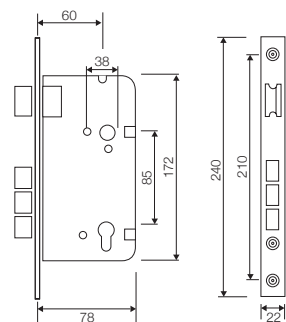
Model:
Entrance

GML 8561-SSC



Specification

- For Flush timber door
- Reversible latch
- Stainless steel latch / Deadbolt
- Latch operated with lever handle
- Deadbolt operated with profile cylinder
- SUS 304 Stainless steel lock case and interior parts
- Backset 50mm/60mm



Stock Code	Size	Packing	Weight
GML 8551-SSC	50mm x 85 mm	25 pcs	18.5 kgs
GML 8561-SSC	60mm x 85 mm	25 pcs	18.5 kgs



SIRIM
CERTIFIED TO: ANSI/BHMA A 156.13:2005
Certification No: PC000360

Certified to ANSI/BHMA A 156.13:2005
Sirim approval, Grade 3.
Exceeds 200,000 cycles. Certification No: PC000360
Packing - Blister pack