

# Mortise Function Handle Set



Model:

## G 8213

Zinc Alloy Mortise Handle set

### G 8213



### Specification

- The latest European style lock body design
- Recommended for exterior doors (entrance door)
- Applicable for 33-45mm door thickness
- Apply Anti-Panic function. Under this function latch bolt and Deadbolt can be opened by pressing the hexagonal knob.
- Key: 5 Brass Keys

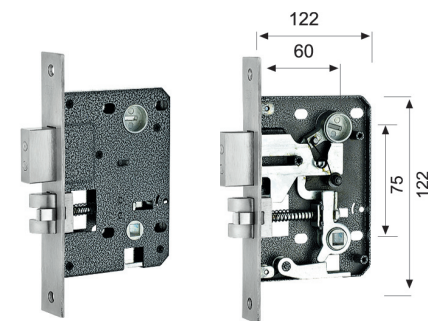
### Finishing

- M5** - Antique Brass
- M11** - Antique Copper
- M26D** - Satin Chrome

### Function

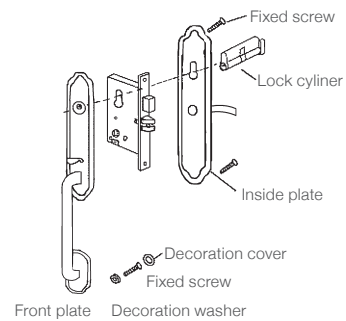
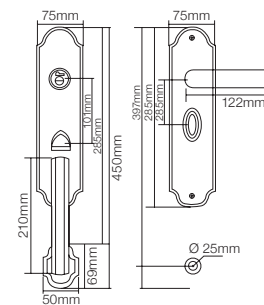
- Entrance

### Dummy Set Available



### Diagram

#### G 8213



Meets underwriter's laboratories criteria.  
Specially designed for barrier free application.  
Exceeds 200,000 cycles.  
**Packing** - Box pack

Stock Code	Packing	Weight
G 8213	6 sets	22.5 kgs